

# SINGLE-ACTING SPRING-RETURN CYLINDERS WITH EXTERNAL SMO- OTH BODY AND THREADED THROUGH HOLE SERIES 22



Single-acting cylinders with spring-loaded return. The external body is smooth with a threaded through hole to allow the insertion of supporting pins or tie rods. They come in 5 different models and can be used with oil only.



## APPLICATIONS

Due to their exceptional force, they are used for their thrust function. They can be mounted in any position on multiple units and are used to lock large parts in position. Possible applications are for riveting, bending, marking, pressing, shearing, punching, drawing, and upsetting. For punch recall, add springs or other fixtures on the outside. Use the holes in the base to fix the cylinders.

**IMPORTANT:**  
Do not operate the cylinders to the end-of-stroke position.

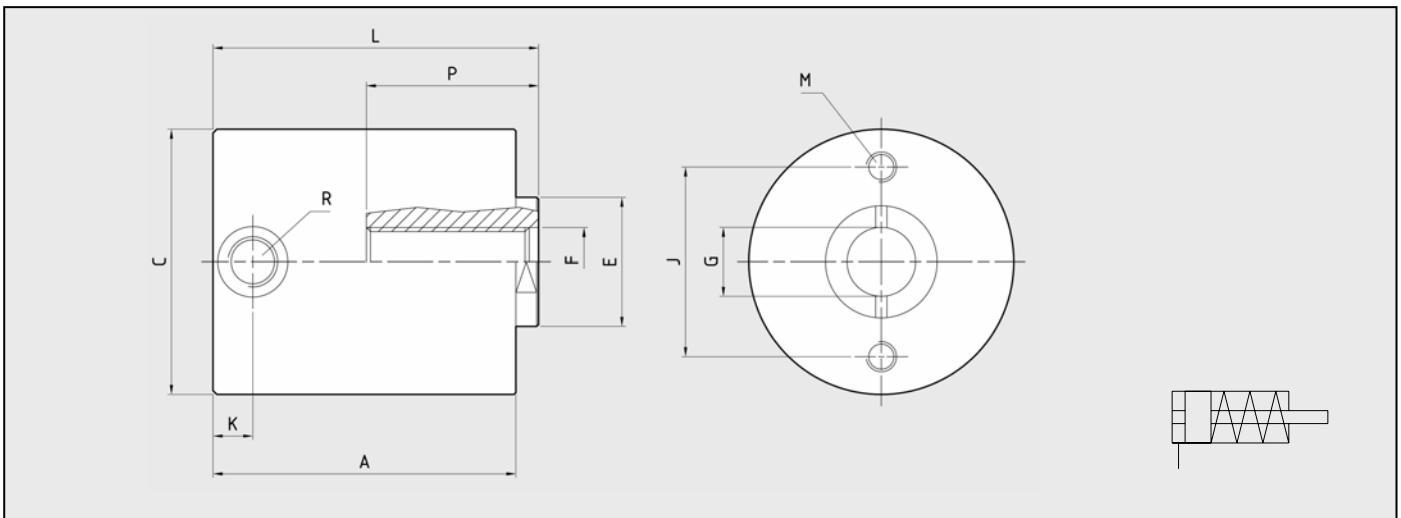
## KEY TO CODES

Z52	22	70	57	06
	SERIES	OUTSIDE DIAMETER	BORE	STROKE (mm)
	22	50	40	06
		70	57	06
		85	70	12

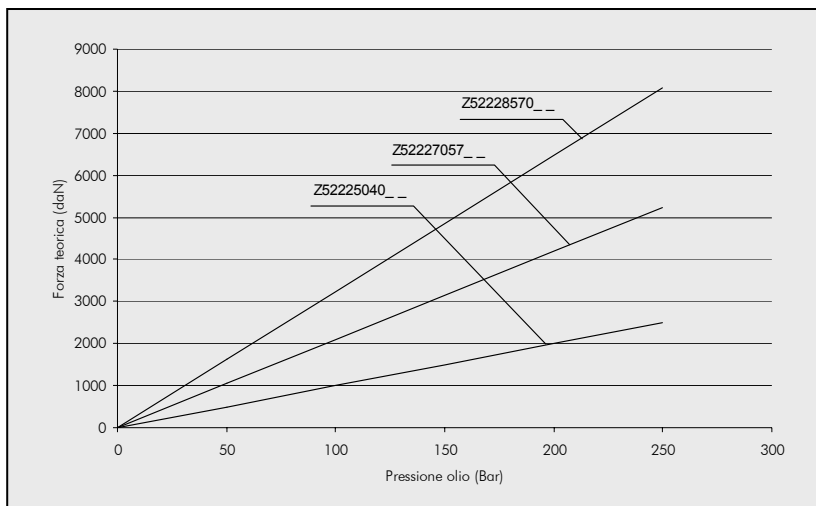
# SINGLE-ACTING SPRING-RETURN CYLINDERS WITH EXTERNAL SMO- OTH BODY AND THREADED THROUGH HOLE SERIES 22



## CHARACTERISTICS AND DIMENSIONS



ITEM CODE	FORCE (daN)		SURF. AREA (cm <sup>2</sup> )	VOLUME (cm <sup>3</sup> )	STROKE (mm)	DIMENSIONS (mm)										
	150 BAR	240BAR				A	C	E	F	G	P	J	K	L	M	R (Oil inle)
Z5222504006	153	252.5	10.02	6.01	6	50	50	24	M12	12	22	35	8	56	M6 x 9	1/8G
Z5222705706 Z5222705712	320.5	534	20.97	12.36 24.72	6 12	52 80	70	35	M18	18	22 40	50	8.5 10.5	58 86		1/8G 1/4G
Z5222857006 Z5222857012	494	823.5	32.33	19.39 38.76		62 80	85	40	M20	20	27 40		10.5	68 86	M8 x 10	1/4G



FORCE/PRESSURE DIAGRAM  
SERIES 22